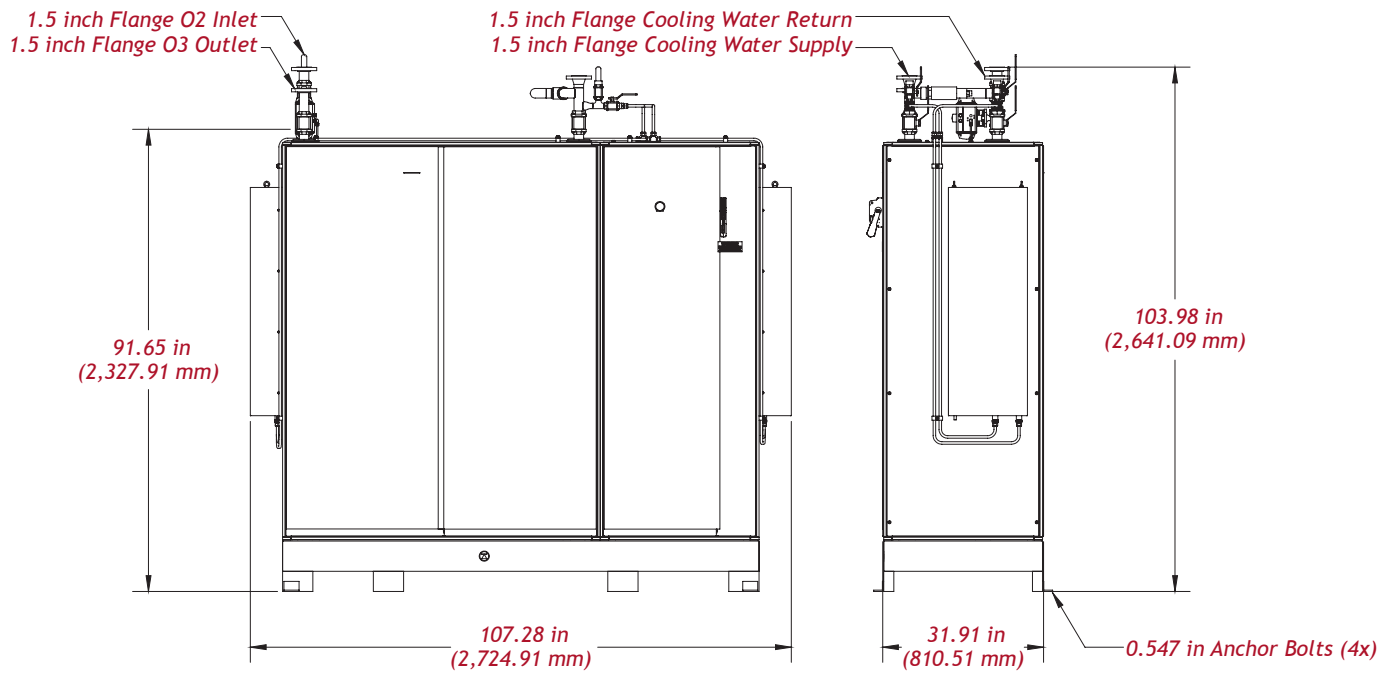


### Ozone: Simplified

### Footprint Overview



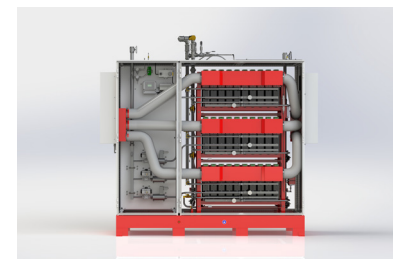
The Apex<sup>36X</sup><sup>™</sup> series ozone generator platform is specifically designed for larger installations with mission-critical capacity and redundancy needs. The design features of the Apex<sup>36X</sup><sup>™</sup> platform can provide up to 99.99% operational readiness, with other standard features. Each Apex<sup>36X</sup><sup>™</sup> platform is configurable up to 600 lbs/d (272 kg/d). All systems are made in the USA.



Apex<sup>36X</sup><sup>™</sup> generates up to 600 ppd (272 kg/d).



Front view cutaway of Apex<sup>36X</sup><sup>™</sup>



Rear view cutaway of Apex<sup>36X</sup><sup>™</sup>

## Ozone:. Simplified

## Specifications &amp; Requirements

**Enclosure**

Standard: Sealed NEMA 12 with Integral Coolers Optional: NEMA 4X with Air Conditioner  
 Ambient Ozone O<sub>3</sub> Monitor  
 Ambient Temperature Monitor  
 Minimum Clearance: Front and Back 36 in (921 mm) Left and Right Sides 24 in (610 mm)  
 Dimensions: 107.3 in (2,724.9 mm) w X 103.9 in (2,641.1 mm) h X 31.9 in (810.5 mm) d  
 Weight: 3,950 lbs (1,791.7 kg)

**Controls & Communication** *(Slave or Fully Automatic Capable)*

Schneider Electric Modicon M251 Modular PLC Control System  
 15 in RedLion<sup>™</sup> Color Touch Screen; Ethernet Switch/Webserver Interface  
 Cellular Modem *(Cell Service Not Included) (Optional)*

**Controls Routines** *(Slave or Fully Automatic Capable)*

All Routines Available At Fixed or Variable O<sub>3</sub> %BW  
 Automatic: PID Ozone Dose (mg/l)  
 Automatic: PID ORP (mv)  
 Manual: Fixed Output (ppd or kg/h) or Full Manual

**Electrical Service**

Required Disconnect: 460 VAC/3Ø/50-60 Hz/165 A  
 110 kVA Step Down Transformer

**Oxygen Service**

PSA, VSA, VPSA or LOX O<sub>2</sub> Acceptable  
 1440 slpm (63 scfm) @ Min 20 psig  
 Min 90% O<sub>2</sub> @ <-65°F Dew Point  
 Max <7.8 ppm H<sub>2</sub>O @ <15 ppm THC  
 N<sub>2</sub> Feed NOT required  
 Max 0.1 µm Filter Inlet *(not included)*  
 1.5 in 316 SS Manual Ball Isolation Valve  
 1.5 in 316 SS Air Actuated (FC) Control Ball Valve  
 1.5 in MPT or 150# Flange Connection

**Ozone Service**

Ozone Output: 540 ppd (245 kg/d) @ 10%BW  
 Inlet Pressure: 20 psig STD  
 1.5 in 316 SS Manual Ball Isolation Valve  
 1.5 in 316 SS Air Actuated Control Ball Valve  
 1.5 in MPT or 150# Flange Connection

**Cooling Service**

Type: Closed-Loop Chilled Water/Food Grade Propylene Glycol  
 Fluid: Food Grade Glycol-Water Blend  
 Flow/Pressure: 61 gpm (231 lpm) *(max)* @ 40 psig<50 µm Filtered Fluid Supply  
 Inlet Temp: Min 10°C/Max 29°C  
 2.0 in CI Body/316 SS Disc Manual Butterfly Isolation Valve  
 2.0 in MPT or Class 150# Flange Connection

**Instrumentation** *(Optional Components for Fully Auto or Minimum Slave Op.)*

Enclosure Ambient O<sub>3</sub> (Teledyne)/Enclosure Ambient Temp  
 O<sub>2</sub> Inlet Mass Flow, O<sub>2</sub> Inlet Temp, O<sub>2</sub> Inlet Pressure Xmitter,  
 O<sub>3</sub> Outlet Pressure Xmitter  
 O<sub>3</sub> Hi Concentration Analyzer (BMT)  
 Inlet/Outlet Chilled Water Temp